



Two Channel Gas Detectors

E2632

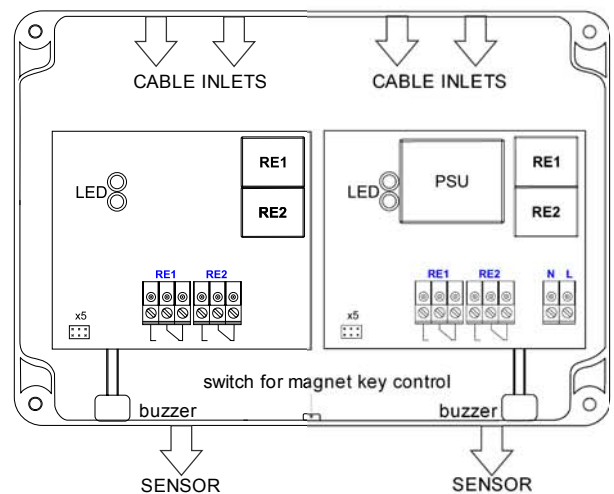
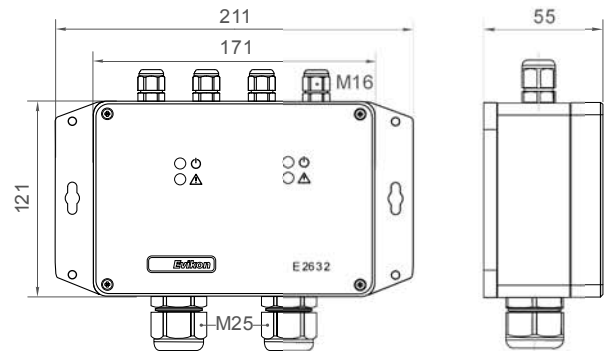


Features

- Simultaneous detection of two gases
- Accurate and stable measurement
- Wall-mount IP65 protected housing
- Visual and acoustic alarms
- Two output relays for alarm / ventilation control

Specifications

Sensor type	depends on detected gases available are: metal oxide sensors, electrochemical sensors
Sampling method	diffusion
Signal update	every 1 second
Self-diagnostics	full functionality check at start-up
Warm-up time	≤ 1 min
Power supply	24 V DC/AC or 90...265 VAC
Power consumption	< 4 VA
Digital interface	UART
Output relays	2 relays with switch-over contact per sensor, 250 VAC / 30 VDC, 5 A max
Alarm set-points	depending on target gas and application
Alarm signal	blinking LEDs, buzzers 85 dB
Enclosure	grey wall-mount ABS plastic, protection class IP65
Dimensions	H121 × W211 × D55 mm
Output cable	max Ø8 mm
Operating environment	residential, business and industrial indoor spaces
Operating conditions	15...95 %RH, atmospheric pressure ±10% non ATEX rated areas temperature depends on the sensor



Ask for available gas combinations and possible limitations

