

Combustible Gases Transmitter E2618-LEL

IP65

4-20mA
0-10V

RS485
Modbus



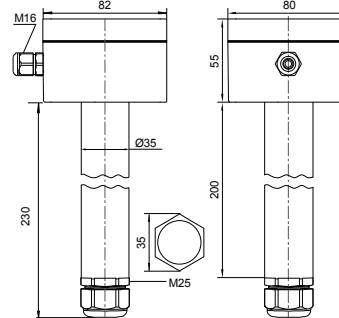
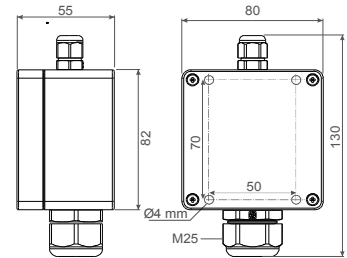
Features

- Accurate and stable measurement
- Wall mount or duct-mount robust enclosure
- Remote probe option
- Two analog outputs settable to 4-20 mA or 0-10 V
- RS485 Modbus RTU digital interface
- LCD indicator option

Specifications

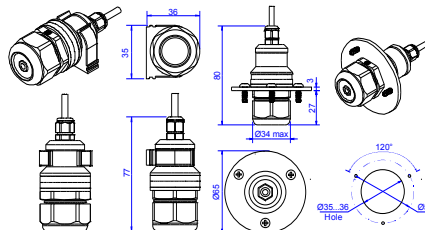
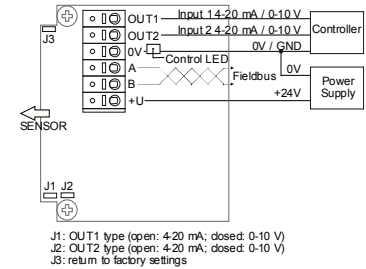
Detected gases	Hydrogen, Methane, Acetylene, Propane, Butane	
Default calibration	Methane CH ₄	
Sensor type	Metal-oxide semiconductor Option: catalytic bead (pellistor)	
Sampling method	Diffusion	
Typical detection range	MOS sensor	catalytic sensor
	0...100% LEL	0...100% LEL
Resolution	0,1 %LEL	1 %LEL
Response time T90	~60 seconds	8 seconds
Sensor lifetime	> 5 years	> 2 years
Maintenance interval	12 months	3...6 months
Operating conditions	-30...+70 °C -20 to +60°C	
	<95 %RH, pressure 1 atm ±10%; Non ATEX rated spaces Normal ambient oxygen level Avoid strong mechanical shock, vibrations or EMI Avoid exposure to corrosive gases or silicone containing products	
Signal update	Every 1 second	
Self-diagnostics	Full functionality check at start-up	
Warm-up time	≤ 1 min	
Power supply	11...30 VDC / 24 VAC	
Power consumption	< 2 VA	
Digital interface	RS485, Modbus RTU protocol	
Analog outputs	2 × 4-20 mA / 0-10 V, user settable	
Enclosure	Grey ABS plastic, wall mount, protection class IP65	
Dimensions	H82 × W80 × D55 mm	
Remote sensor probe	Protection IP65, shielded cable default cable length 3.0 m	
Operating environment	Industrial indoor and outdoor areas	
LCD indicator option		
Operating temperature	0...+50 °C,	
Display dimensions	72 × 36 mm	
Number of digits	3.5 7-segment	
Character height	14 mm	
Other features	Backlight	

Wall-mount version



Duct-mount version

Connection diagram



Remote probe

Ask for other versions or custom designed products

