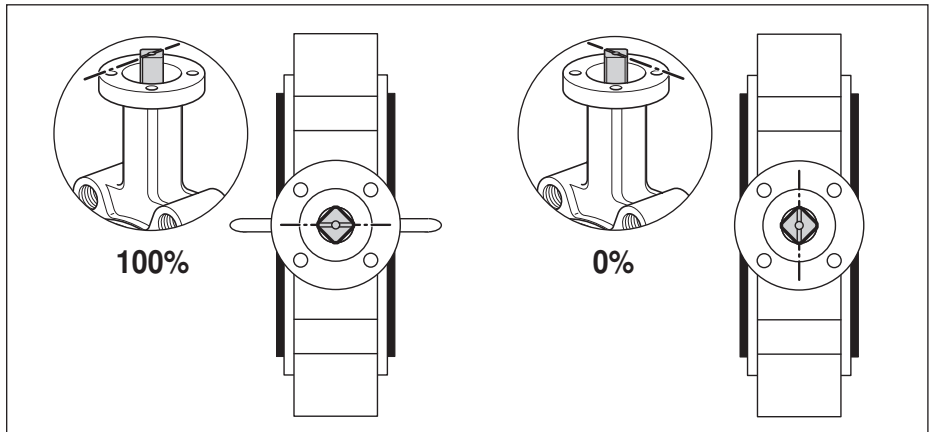
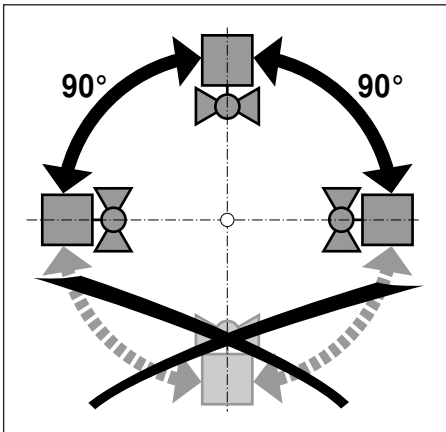
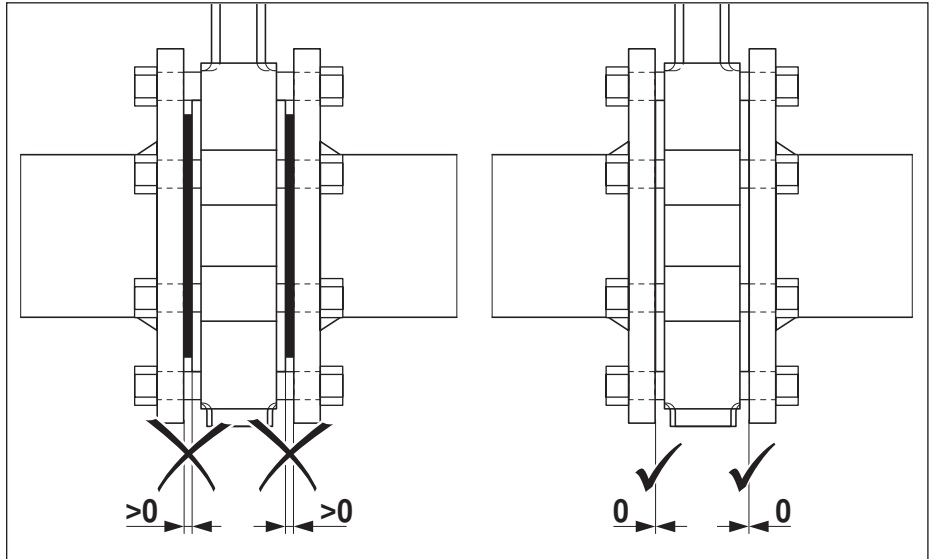
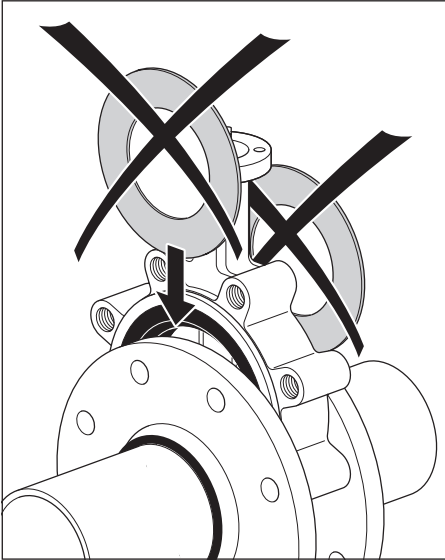


| DN | A | B |
|--------|-----|---------|
| DN 25 | M12 | ≤35 Nm |
| DN 32 | M16 | ≤94 Nm |
| DN 40 | M16 | ≤94 Nm |
| DN 50 | M16 | ≤94 Nm |
| DN 65 | M16 | ≤94 Nm |
| DN 80 | M16 | ≤94 Nm |
| DN 100 | M16 | ≤94 Nm |
| DN 125 | M16 | ≤94 Nm |
| DN 150 | M20 | ≤162 Nm |
| DN 200 | M20 | ≤162 Nm |
| DN 250 | M24 | ≤270 Nm |
| DN 300 | M24 | ≤270 Nm |
| DN 350 | M24 | ≤270 Nm |





D6..WL

