
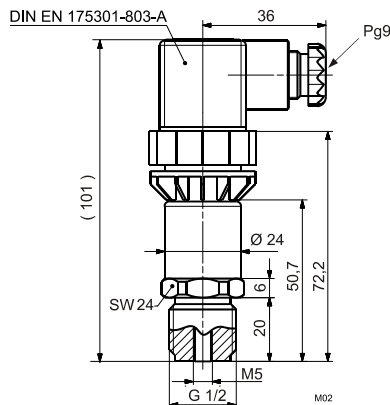
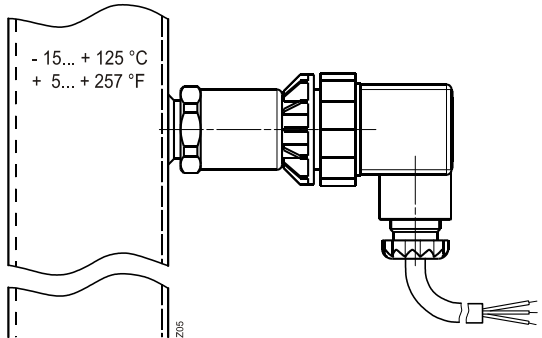
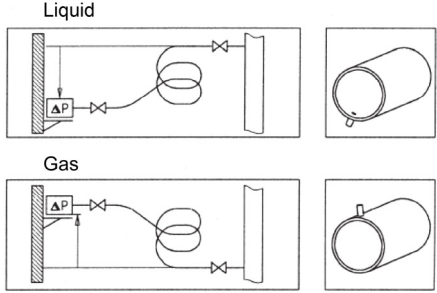
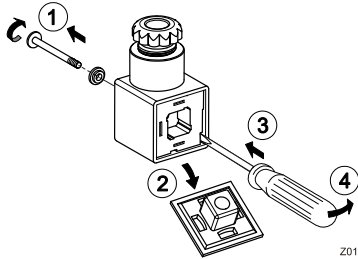
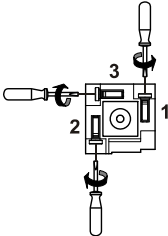
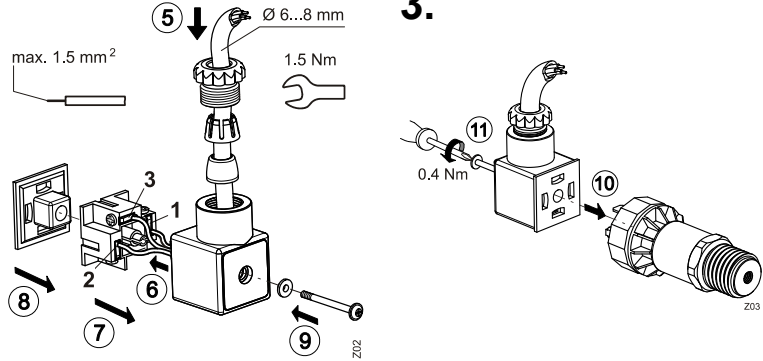
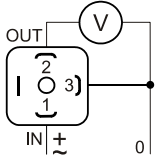
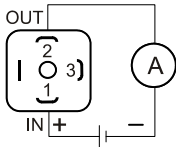


- de** Montageanleitung
- en** Mounting instructions
- fr** Instructions de montage
- sv** Monteringsinstruktion
- nl** Montage-aanwijzing
- it** Istruzioni di montaggio
- fi** Asennusohje
- es** Instrucciones de montaje
- da** Monteringsvejledning

## QBE2x03...

		
		
<p><b>1.</b></p>  <p style="text-align: right; font-size: small;">Z01</p>	<p><b>2.</b></p>  <p style="text-align: center; font-size: small;">max. 1.5 mm<sup>2</sup></p> <p><b>3.</b></p>  <p style="text-align: right; font-size: small;">Z02</p>	
<p>0...10 V QBE2003...</p>  <p>AC 24 V ±15 % or DC 12...33 V</p>	<p>4...20 mA QBE2103...</p>  <p>7...33 V</p>	<p>For additional information please refer to the following documents on the Internet:</p> <p><a href="http://siemens.com/bt/download">http://siemens.com/bt/download</a></p> <p>→ search for "QBE2103" or "QBE2003"</p>