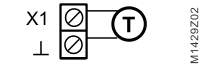
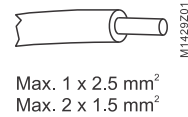
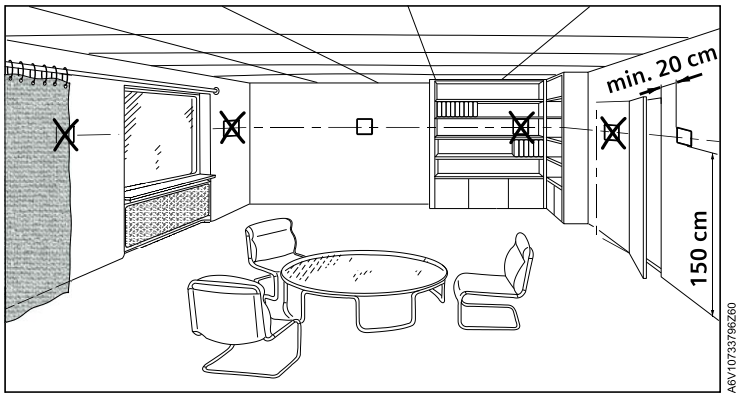
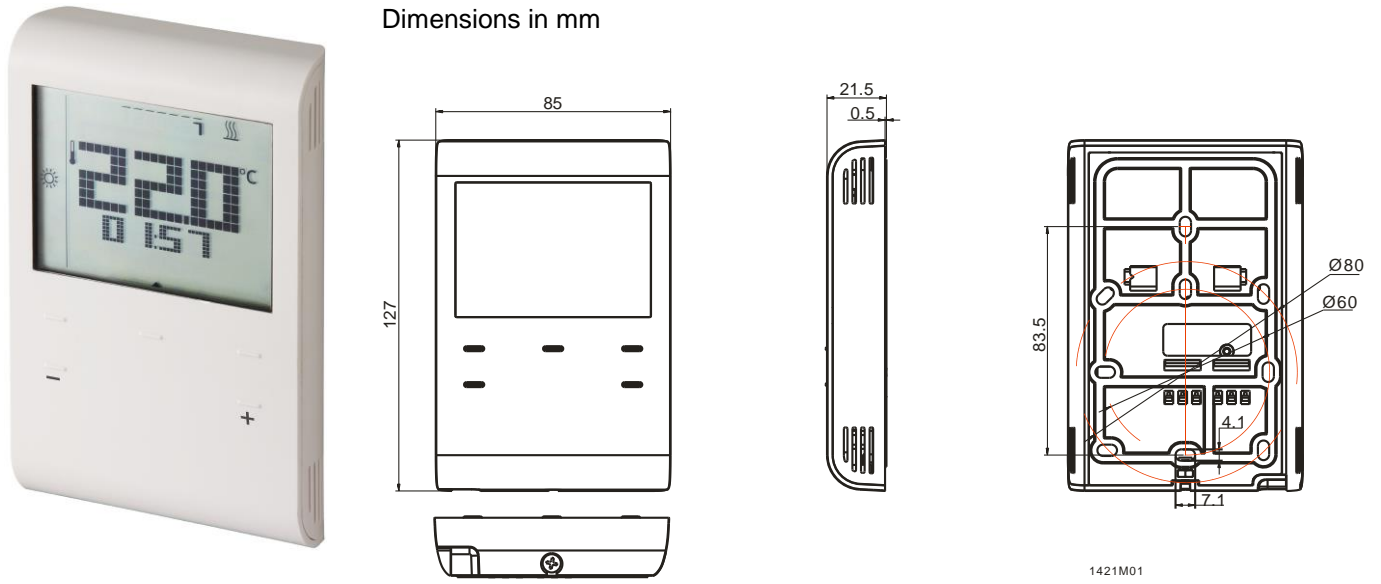
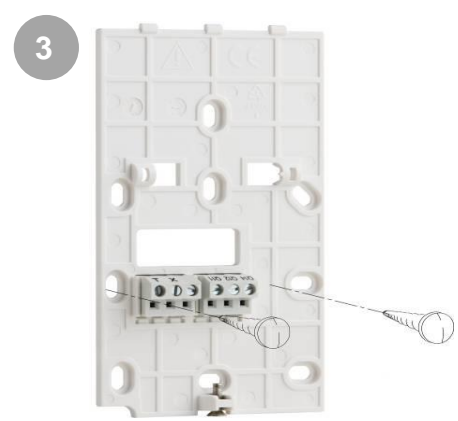
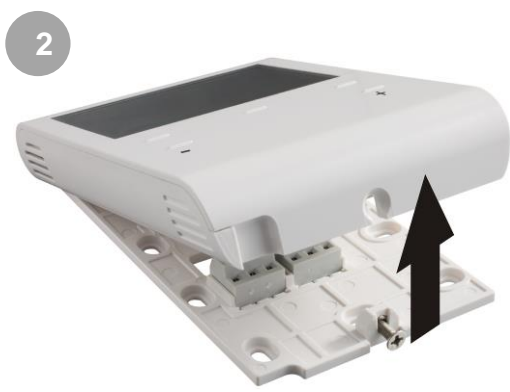


RDE100..

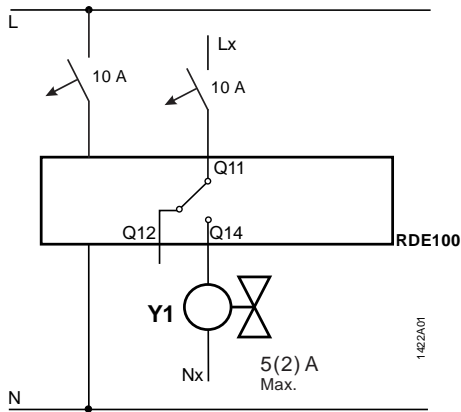


Wire [mm ²]	Max. [m]
1.5	80



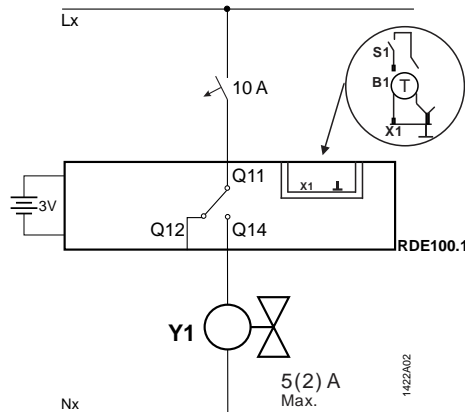


RDE100



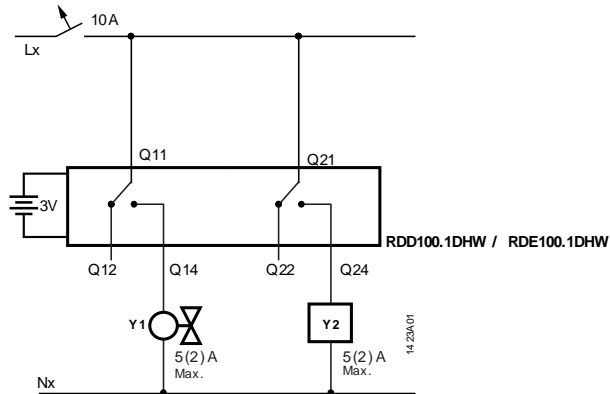
⚠ L-N AC 230 V

RDE100.1



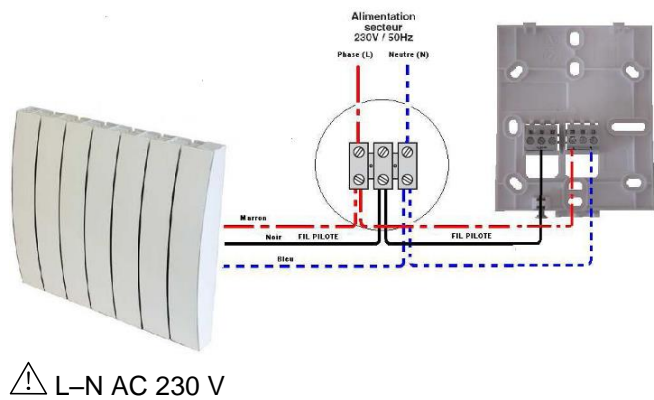
⚠ Lx-Nx 24...230 V

RDD100.1DHW / RDE100.1DHW



⚠ Lx-Nx 24...230 V

RDE100FP (Fil Pilote)



⚠ L-N AC 230 V



1) www.siemens.com/HIT
(HIT start center)

2) 🔍 "RDE"

3) 📄 (doc)



🕒 Max. 1.5 min.