



ASC77.1E

ASC77.2E

OpenAir™

## External Auxiliary Switches

## ASC77.1E ASC77.2E

Auxiliary switches designed for use with all types of GCA, GBB, GIB, GMA and GEB damper actuators.

- Prewired, complete with standard connecting cables of 0.9 m length, 3 x 0.75 mm<sup>2</sup> (ASC77.1E) or 6 x 0.75 mm<sup>2</sup> (ASC77.2E)
- Rated voltage AC 24...230 V
- Switching points can be selected across the entire rotational angle range of 5...90 ° at increments of 5 °
- Switch position easy to read
- Current damper position indicated by position indicator

### Use

The auxiliary switches are used to extend the scope of functions of all types of GCA, GBB, GIB, GMA and GEB damper actuators and to upgrade existing actuators that have no switching functions integrated.

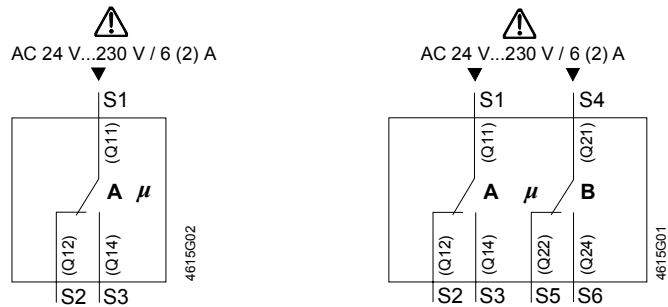
### Technical data

Environmental conditions	Rated voltage	AC 24...230 V +10/-20 %
	Frequency	50/60 Hz
	Contact rating	6(2) A
	Operation	IEC 721-3-3
	Temperature	-32...+55 °C
	Humidity (noncondensing)	< 95 % r. h.
	Transport	IEC 721-3-2
	Temperature	-32...+70 °C
	Humidity (noncondensing)	< 95 % r. h.

Standards

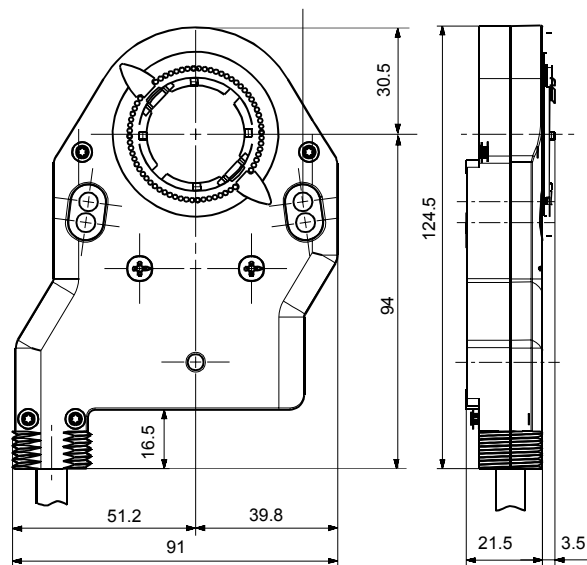
Safety class	II EN 60730-2-14
Degree of protection	IP54 EN 60529
Also refer to 74 319 0413 0	(see notes)
Product safety	
Automatic electrical controls for household and similar use	EN 60730-1
Electromagnetic compatibility	
Emissions	EN 50081-1
CE conformity	
Low-voltage directive	73/23/EEC
Weight	0.48 kg

Internal diagrams



Voltage	Switch A (S1)	Switch B (S4)	Yes / No
AC 24 V	AC 24 V	AC 24 V	Yes
AC 230 V	L1 (live)	L1 (live)	Yes
	L2	L2	Yes
	L3	L3	Yes
	Lx (live)	≠ Lx (live)	No
Mixed	AC 24 V	AC 230 V	No
	AC 230 V	AC 24 V	No

Dimensions



Dimensions in mm