

Datasheet

Subject to technical alteration
Issue date: 02.02.2017



Application

For pressure detection in liquid mediums for air conditioning, heating and water application. Suitable for plants with refrigerant.

Types Available

Pressure transmitter – active 0..10 V | 4..20 mA

DLF<range> V G1/4"
DLF<range> A G1/4"

<range> measuring ranges: 0..4 (0..58) | 6 (87) | 10 (145) | 16 bar (232 psi)...other measuring ranges please request

Security Advice – Caution



The installation and assembly of electrical equipment should only be performed by authorized personnel.

The product should only be used for the intended application. Unauthorised modifications are prohibited! The product must not be used in relation with any equipment that in case of a failure may threaten, directly or indirectly, human health or life or result in danger to human beings, animals or assets. Ensure all power is disconnected before installing. Do not connect to live/operating equipment.

Please comply with

- Local laws, health & safety regulations, technical standards and regulations
- Condition of the device at the time of installation, to ensure safe installation
- This data sheet and installation manual

Notes on Disposal



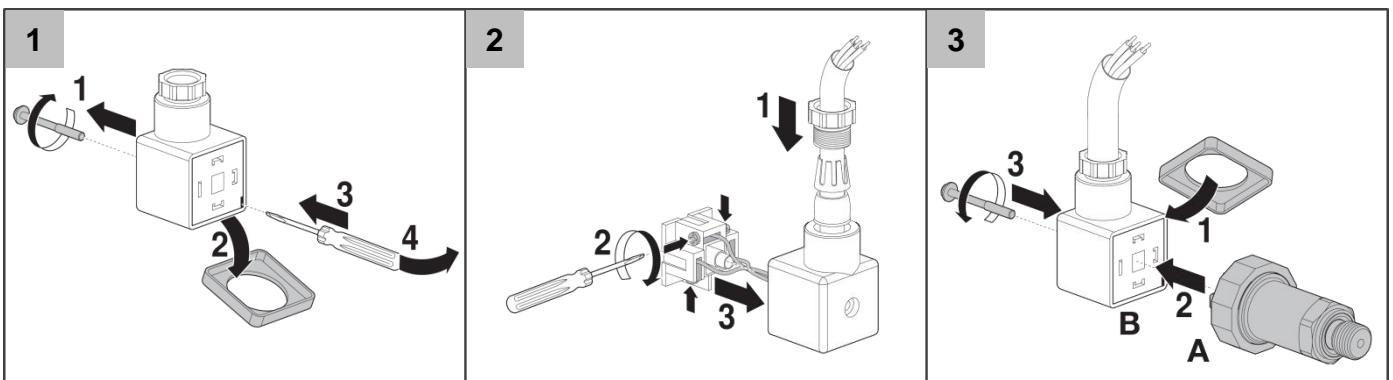
As a component of a large-scale fixed installation, Thermokon products are intended to be used permanently as part of a building or a structure at a pre-defined and dedicated location, hence the Waste Electrical and Electronic Act (WEEE) is not applicable. However, most of the products may contain valuable materials that should be recycled and not disposed of as domestic waste. Please note the relevant regulations for local disposal.

Technical Data

Measuring values		pressure
Medium		fluids
Output voltage		0..10 V, min. load 5 k Ω
Output Amp		4..20 mA, max. load 500 Ω
Power supply	V	15..24 V = ($\pm 10\%$) or 24 V ~ ($\pm 10\%$)
	A	15..24 V = ($\pm 10\%$)
Power consumption	V	typ. 0,15 W (24 V =) 0,3 VA (24 V ~)
	A	typ. 0,5 W (24 V =)
Working range temp.		-40..+125 °C
Measuring range pressure		depending on device
Accuracy pressure		$\pm 0,5\%$ (typ. at +21 °C)
Max. working overpressure		2-fold nominal pressure
Enclosure		wetted parts stainless steel V2A
Protection		IP65 according to EN 60529
Cable entry		compression fitting for cable max. $\varnothing=8$ mm
Connection electrical		connector MVS according to EN175301-803
Connection mechanical		G 1/4"
Ambient condition		-40..+105 °C
Weight		approx. 60 g
Notes		other measuring ranges please request, adaptor to 1/2" available

Mounting Advices

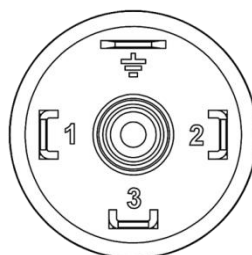
- For connection the device the device, all process lines must be depressurised
- Consider the suitability of the device for the medium to be measured
- Consider maximum pressure



Connection Plan

DLF V – active 0..10 V

1	15..24 V = / 24 V ~
2	GND
3	Out 0..10 V



DLF A – active 4..20 mA

1	15..24 V =
2	GND Out 4..20 mA
3	-

Commissioning

Prerequisite for commissioning is the proper installation of all electrical supply, control and sensing leads as well as the pressure connection lines.

Check the tightness of the connection lines before commissioning.

Dimensions (mm)

