

# SCM

## Single control module

ENERGY SAVINGS - SAFETY - RENEWABLE ENERGY - HYBRID TECHNOLOGY - ENVIRONMENT - COMFORT - PLUG&PLAY - PERFORMANCE

RENEWABLE ENERGY - HYBRID TECHNOLOGY - ENVIRONMENT - COMFORT - PLUG&PLAY - PERFORMANCE - WATER HEATER - ERP



### Multi-function plastic housing with a 1-pole capillary control

#### FEATURES

- Suitable for surface mounted, immersion and air applications
- Multiple mounting configurations
- Includes GTL series control with changeover contact
- Control knob with temperature indication
- Knob rotation customizable with stops
- Customized colors and marking available

#### OPERATION

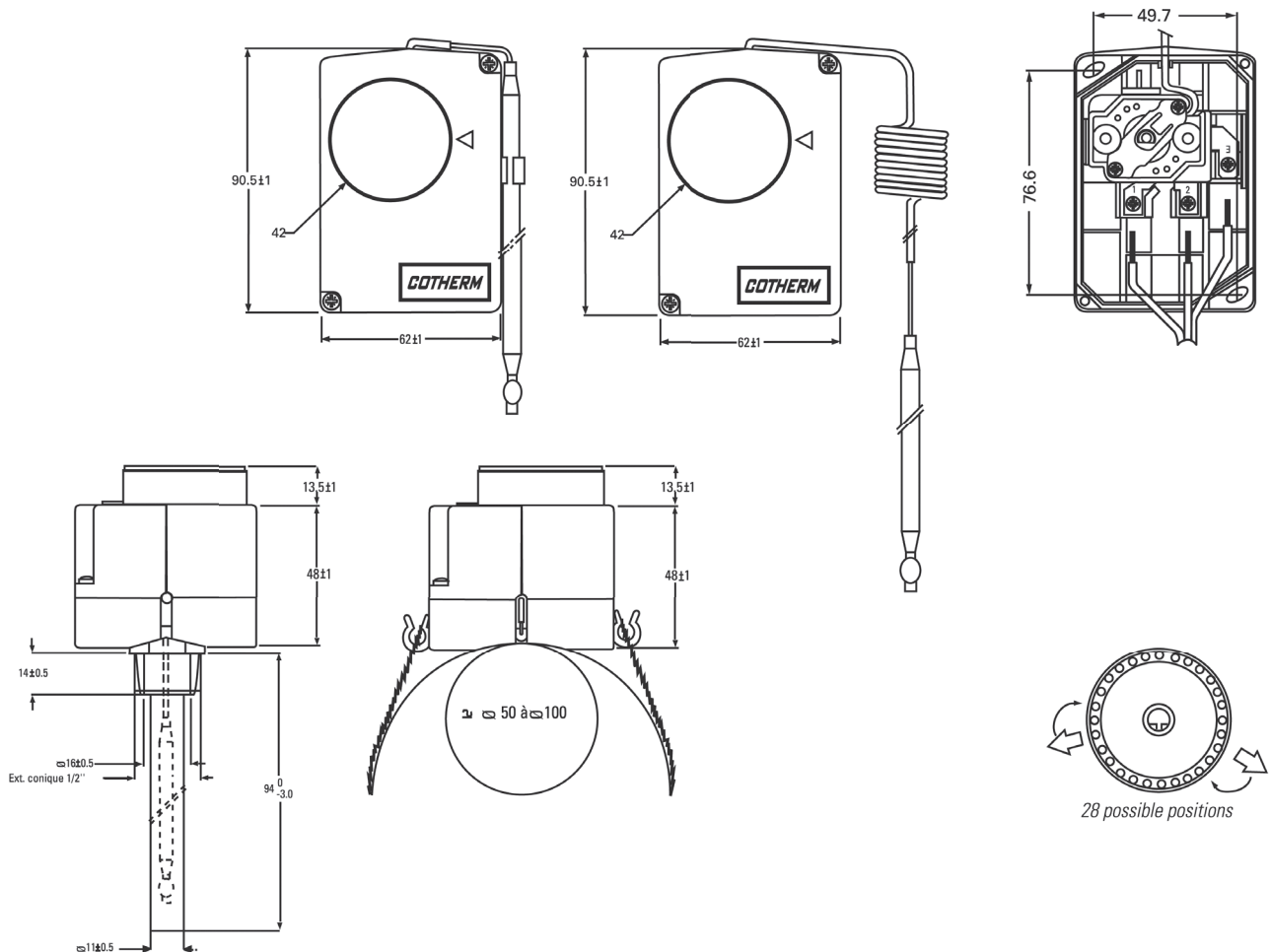
A rise in temperature causes the expansion of liquid within the bulb and capillary. The liquid acts on a bellows assembly within the plastic housing to open and close electrical contacts.



**cotherm**  
DEGREES OF EXCELLENCE

[WWW.COTHERM.COM](http://WWW.COTHERM.COM)

## TECHNICAL CHARACTERISTICS



	THP	THA	TAMH
<b>Type</b>	For immersion with control bulb in brass pocket fitted directly on the housing limiter model: THPHR	For surface mount with control bulb built into the back of the housing limiter model: THAHR	For industrial ambient with capillary and bulb for deported temperature sensing
Temperature range	0 to 50°C / 32 to 122°F, 0 to 90°C / 32 to 194°F, -35 to 35°C / -31 to 95°F		
Adjustment	Control knob		
Rating	20A 250V		
Material	Copper or stainless steel		
Capillary length	150 to 3000 mm / 6 to 118"		
Protection	Up to IP 54		
Connections	Screw terminals		
Approvals	CE conformity, ENEC MARK according to EN 60730-1, EN 61130-2-9, ROHS conformity		

Weight: approx. 250g