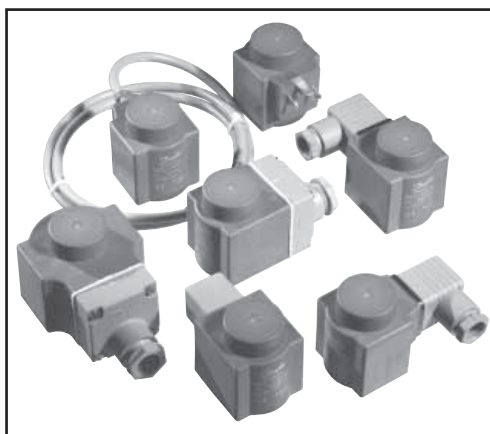


# Coils for solenoid valves

## Features



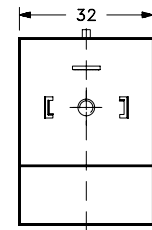
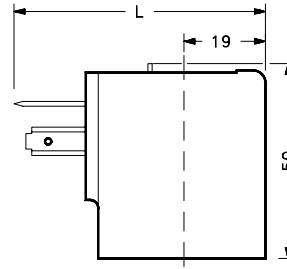
### B and A coils

- Encapsulated coils with long operating life, even under extreme conditions
- Standard coils for a.c. or d.c.
- Standard coils from 12 V to 240V, 50, 60 or 50/60 Hz
- Standard coils available with 3 core cable, Danfoss terminal box or for DIN plugs
- Coils can be fitted without use of tools
- Coils can only be removed with use of tools

## Contents

Coil type	Enclosure	Power consumption		Page
		ac	dc	
<b>B-series, 13.5 mm system</b>				
BA	IP00-IP65	9 W	15 W	2
BD	IP00-IP65	15 W	-	2
BB	IP00-IP65	10 W	18 W	3
BE	IP67	10 W	18 W	4
BG	IP67	12 W	20 W	5
BN ( hum-free)	IP67	20 W	-	6
BO ( EEx mII T4)	IP67	10 W	10 W	7
BP ( EEx mII T4)	IP 67	-	16 W	8
<b>A-series, 9 mm system</b>				
AB	IP00-IP65	4.5 W	5 W	9
AC	IP00-IP65	7 W	10 W	9
AK	IP00-IP65	-	3 W	10
AL	IP00-IP65	4 W	-	10
AM	IP00-IP65	7.5 W	9.5 W	10
<b>Power Connector for coil type AB and AC</b>	IP65			11
<b>Power connector for coil type AK, AL, AM, BA, BD, BB</b>	IP65			12
<b>Power (LED + Varistor) Indicator Connector for coil type AK, AL, AM, BA, BD, BB</b>	IP65			13
<b>Power (LED + Varistor) Indicator Connector for coil type AB and AC</b>	IP65			14
<b>Universal electronic multi-timer Type ET 20 M</b>	IP00-IP65			15

BA/BD Coils



DANFOSS  
A42N75.10

Weight 0.16 kg	L[mm]
Without cable plug	54
With protective cap	71
With cable plug	79

Technical data

Design	In accordance with VDE 0580	
Voltage tolerance	220/380V ac coils: +10%, -15%. 230/400V ac coils: +6%, -10%. Other ac coils with NC valve: +10%, -15% Other ac coils with NO valve and all dc coils: ± 10%	
Power consumption, cut in	BA	39 VA ac coils only
	BD	54 VA
Insulation of coil windings	Class H according to IEC 85	
Connection	Spade connector in accordance with DIN 43650 form A	
Enclosure, IEC 529	IP00 with spade connec. IP 20 with protective cap, IP 65 with cable plug	
Ambient temperature	BA	Max. +40°C
	BD	Max. +50°C
Duty rating	Continuous	

Ordering BA/BD Coils

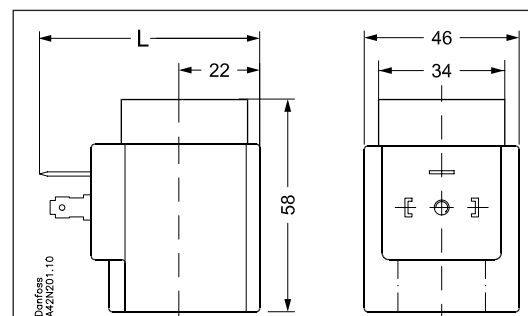
Compatibility for Valve type	Coil type	Power consumption holding	Coil type	Supply voltage	Frequency Hz	Code no.
See data sheets for valves	BA	9 W 19VA	BA024A	24 ac	50	<b>042N7508</b>
			BA048A	48 ac		<b>042N7510</b>
			BA115A	115 ac		<b>042N7512</b>
			BA230A	220-230 ac		<b>042N7501</b>
			BA240A	240 ac		<b>042N7502</b>
			BA380A	380-400 ac		<b>042N7504</b>
	BD	15 W 29 VA	BA024B	24 ac	60	<b>042N7520</b>
			BA115B	115 ac		<b>042N7522</b>
			BA220B	220 ac		<b>042N7523</b>
			BA012D	12 dc	dc	<b>042N7550</b>
			BA024D	24 dc		<b>042N7551</b>
			BD024A	24 ac		50
BD110A	110 ac	<b>042N7599</b>				
BD230A	230 ac	<b>042N7591</b>				

Contact Danfoss for delivery of coils for other voltages

Symbol	Description	Enclosure	Code no.
	Protective cap (pack of 100 pcs.)	IP 20	<b>018Z0282</b>
	Cable plug according to DIN 43650-A PG 11	IP65	<b>042N0156<sup>1)</sup></b>

1) Ordering see page 12

Coils type BB-Clip on version



Weight 0.24 kg	L[mm]
Without cable plug	62
With protective cap	77
With cable plug	85

Technical data

Design	In accordance with VDE 0580
Voltage tolerance	220/380V ac coils: +10%, -15%. 230/400V ac coils: +6%, -10%. Other ac coils with NC valve: +10%, -15% Other ac coils with NO valve and all dc coils: ± 10%
Power consumption, cut in	44 VA ac coils only
Insulation of coil windings	Class H according to IEC 85
Connection	Spade connector in accordance with DIN 43650 form A
Enclosure, IEC 529	IP00 with spade connec. IP 20 with protective cap, IP 65 with cable plug
Ambient temperature	Max. +50°C /+80°C - see table below for details
Duty rating	Continuous

Ordering BB Coils

Compatibility for Valve type	Power consumption holding	Coil type	Supply voltage	Frequency Hz	Ambient temperature [°C]	Code no.
All 2/2-way valves	10 W 21VA	BB024AS	24 ac	50	80	<b>018F7358</b>
		BB115AS	115 ac			<b>018F7361</b>
		BB230AS	220-230 ac			<b>018F7351</b>
		BB240AS	240 ac			<b>018F7352</b>
		BB380AS	380-400 ac			<b>018F7353</b>
		BB024BS	24 ac			60
	18 W	BB110CS	110 ac	50/60	50	<b>018F7360</b>
		BB230CS	220-230 ac			<b>018F7363</b>
		BB012DS	12 dc	dc		<b>018F7396</b>
		BB024DS	24 dc			<b>018F7397</b>

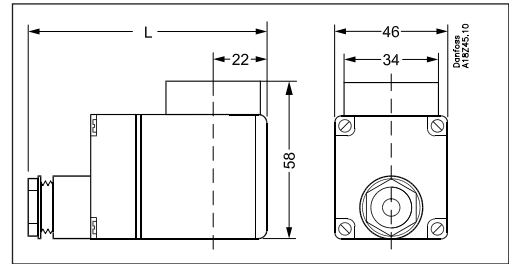
Contact Danfoss for delivery of coils for other voltages

Symbol	Description	Enclosure	Code no.
	Protective cap (pack of 100 pcs.)	IP 20	<b>018Z0282</b>
	Cable plug according to DIN 43650-A PG 11	IP65	<b>042N0156<sup>1)</sup></b>

1) Ordering see page 12

Description	Application	Code no.
O-ring ( pack of 10 pcs.)	Sealing of clip-on coil	<b>018F0094</b>

Coils type BE-Clip on version



Weight 0.30 kg	L[mm]
With terminal box	94
With 1 m cable	65

Technical data

Design	In accordance with VDE 0580
Voltage tolerance	220/380V ac coils: +10%, -15%. 230/400V ac coils: +6%, -10%. Other ac coils with NC valve: +10%, -15% Other ac coils with NO valve and all dc coils: ± 10%
Power consumption, cut in	44 VA ac coils only
Insulation of coil windings	Class H according to IEC 85
Connection	Terminal box; Pg 13.5-or 1 m 3-core flying lead
Enclosure, IEC 529	IP 67
Ambient temperature	Max. +50°C /+80°C - see table below for details
Duty rating	Continuous

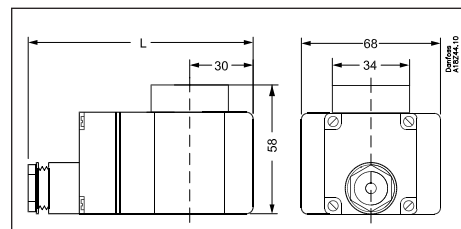
Ordering BE Coils

Compatibility for Valve type	Power consumption holding	Coil type	Supply voltage	Frequency Hz	Ambient temperature [°C]	Code no.	
						With terminal box	With cable
All 2/2-way valves.	10 W 21VA	BE024AS	24 ac	50	80	<b>018F6707</b>	<b>018F6257</b>
		BE048AS	48 ac			<b>018F6709</b>	<b>018F6259</b>
		BE115AS	115 ac			<b>018F6711</b>	<b>018F6261</b>
		BE230AS	220-230 ac			<b>018F6701</b>	<b>018F6251</b>
		BE240AS	240 ac			<b>018F6702</b>	<b>018F6252</b>
		BE380AS	380-400 ac			<b>018F6703</b>	<b>018F6253</b>
		BE024BS	24 ac	60		<b>018F6715</b>	<b>018F6265</b>
		BE115BS	115 ac			<b>018F6710</b>	<b>018F6260</b>
		BE220BS	220 ac			<b>018F6714</b>	<b>018F6264</b>
		BE110CS	110 ac			50/60	<b>018F6730</b>
	BE230CS	230 ac	<b>018F6732</b>	<b>018F6282</b>			
	18 W	BE012DS	12 dc	dc	50	<b>018F6756</b>	
		BE024DS	24 dc			<b>018F6757</b>	

Contact Danfoss for delivery of coils for other voltages

	Application	Code no.
O-ring ( pack of 10 pcs.)	Sealing of clip-on coil	<b>018F0094</b>
Danfoss terminal box for type BN and BG coils	IP 67 Enclosure	<b>018Z0081</b>
Danfoss terminal box with LED indication	48-220 V dc 24-250 V ac, 50/60 Hz	<b>018Z0089</b>

Coils type BG-Clip on version



Weight 0.50 kg	L[mm]
With terminal box	112

Technical data

Design	In accordance with VDE 0580
Voltage tolerance	220/380V ac coils: +10%, -15%. 230/400V ac coils: +6%, -10%. Other ac coils with NC valve: +10%, -15% Other ac coils with NO valve and all dc coils: ± 10%
Power consumption, cut in	55VA ac coils only
Insulation of coil windings	Class H according to IEC 85
Connection	Terminal box; Pg 13.5
Enclosure, IEC 529	IP 67
Ambient temperature	Max. +80°C
Duty rating	Continuous

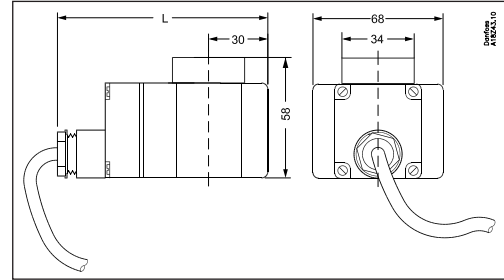
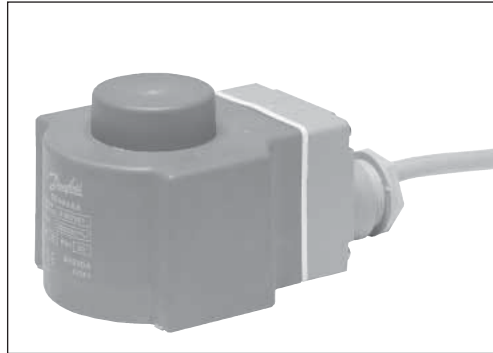
Ordering BG Coils

Compatibility for Valve type	Power consumption holding	Coil type	Supply voltage	Frequency Hz	Code no.
All 2/2-way valves.	12 W 26VA	BG024AS	24 ac	50	<b>018F6807</b>
		BG110AS	110 ac		<b>018F6811</b>
		BG230AS	220-230 ac		<b>018F6801</b>
		BG240AS	240 ac		<b>018F6802</b>
		BG380AS	380-400 ac		<b>018F6803</b>
		BG024BS	24 ac		60
	BG110BS	110 ac	<b>018F6813</b>		
	BG220BS	220 ac	<b>018F6814</b>		
	20 W	BG012DS	12 dc	dc	<b>018F6856</b>
BG024DS		24 dc	<b>018F6857</b>		

Contact Danfoss for delivery of coils for other voltages

Description	Application	Code no.
O-ring ( pack of 10 pcs.)	Sealing of clip-on coil	<b>018F0094</b>
Danfoss terminal box for type BN and BG coils	IP67 Enclosure	<b>018Z0081</b>
Danfoss terminal box with LED indication	48-220 V dc 24-250 V ac, 50/60 Hz	<b>018Z0089</b>

**Coils type BN-Clip on version  
Hum-free coil**



Weight 0.60 kg	L[mm]
With 1 m cable	112

**Technical data**

Design	In accordance with VDE 0580
Voltage tolerance	220/380V ac coils: +10%, -15%. 230/400V ac coils: +6%, -10%. Other ac coils with NC valve: +10%, -15% Other ac coils with NO valve and all dc coils: $\pm 10\%$
Power consumption, cut in	24VA
Insulation of coil windings	Class H according to IEC 85
Connection	1 m 3-core flying lead ; Pg 13.5
Enclosure, IEC 529	IP 67
Ambient temperature	Max. +50°C
Duty rating	Continuous

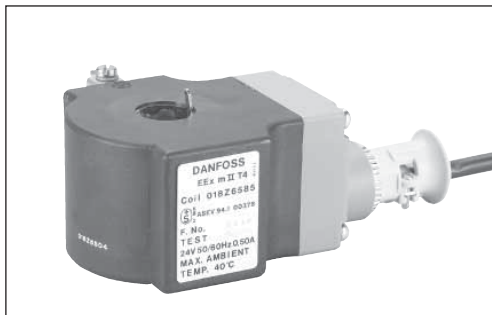
**Ordering BN Coils**

Compatibility for Valve type	Power consumption holding	Coil type	Supply voltage	Frequency Hz	Code no.
All 2/2-way valves.	20 W 26VA	BN230CS	220-230 ac	50/60	<b>018F7301</b>
O-rings ( pack of 10 pcs.)		Sealing of clip-on coil			<b>018F0094</b>

**Data sheet**

**Coils for industrial valves**

**Coils type BO  
Eex m II T4**



- For explosion-risk environments, such as where flammable liquids and gases are produced, transported or tapped
- Approvals for use in Zone 1 according to Directive 94/9/EC (ATEX 100A) EN50014 and EN50028
- Medium temperature: Up to +90°C
- Ambient temperature: Up to +40°C
- IP 67 version with 5 m 3-core flying lead
- Seal kit as accessory for extremely wet and aggressive environments (please contact Danfoss)


**Technical data**

Voltage tolerance	± 10%
Insulation of coil windings	Class H according to IEC 85
Connection	5 m 3-core flying lead
Enclosure, IEC 529	IP 67
Ambient temperature	Max. +40°C
Duty rating	Continuous
Media temperature	Max. +90°C

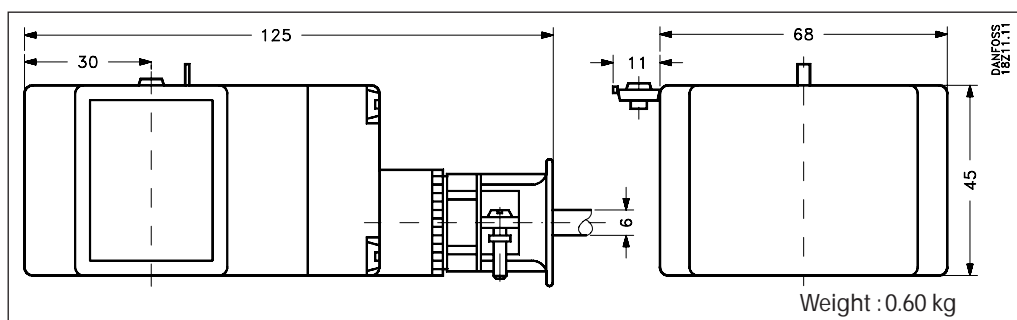
**Ordering BO Coils**

**Conformity certification EX DEMKO 99ATEX 128981X**

Compatibility for Valve type	Power consumption holding	Coil type	Supply voltage	Frequency Hz	Code no.
All B-series valves	10 W 21VA	BO024C	24 ac	50/60	<b>018Z6595</b>
		BO048C	48 ac		<b>018Z6594</b>
		BO110C	110 ac		<b>018Z6593</b>
		BO230C	230 ac		<b>018Z6592</b>
		BO240C	240 ac		<b>018Z6591</b>
	10 W	BO024D	24 dc	dc	<b>018Z6596</b>

	Description	Application	Code no.
	Seal kit	Wet environment	<b>018Z0090</b>

**Dimensions and weight**



**Coils type BP  
EEx m II T4**



- The coils are suitable for use in installations where flammable liquids and gases are produced, transported or tapped
- Approved for use in Zone 1 according to Directive 94/9/EC (ATEX 100A) EN50014 and EN50028
- Grade of enclosure IP 67
- Supplied with 3 m moulded-in 3-core cable

**Technical data**

Voltage tolerance	± 10%
Insulation of coil windings	Class H according to IEC 85
Connection	3 m 3-core cable
Enclosure, IEC 529	IP 67
Ambient temperature	Max. +55°C
Duty rating	Continuous
Media temperature	Max. +90°C

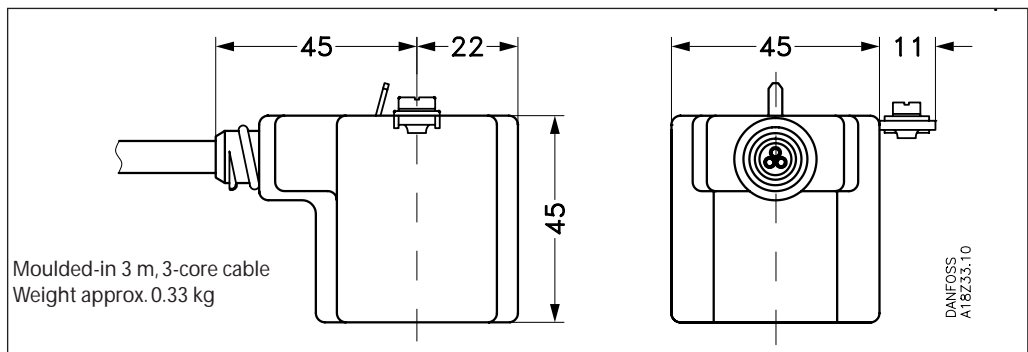
**Ordering BP Coils**

**Conformity certification EX DEMKO 99ATEX 125688X**

Compatibility for Valve type	Power consumption holding	Coil type	Supply voltage	Connection	Code no.
All B-series valves	16 W	BP024D	24 V dc	3 m	<b>018Z6633</b>

	Description	Application	Code no.
	Seal kit	Wet environment	<b>018Z0090</b>

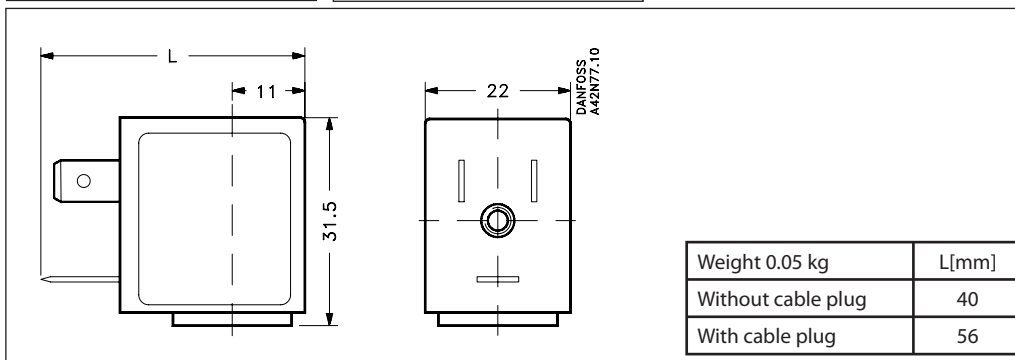
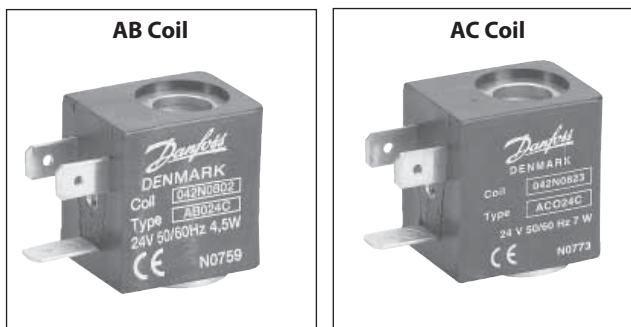
**Dimensions**



**Special requirements:**

The supply must be secured against a too high power consumption in case of a short circuit.





Technical data

Design	In accordance with VDE 0580	
Voltage tolerance	± 10%	
Power consumption, cut in	AB	9.5 VA ac coils only
	AC	15.7 VA ac coils only
Insulation of coil windings	Class H according to IEC 85	
Connection	Spade connectors, 6.3 x 0.8 mm	
Enclosure, IEC 529	IP00 with spade connector, IP 65 with cable plug	
Ambient temperature	AB	Max. +50°C
	AC	Max. +50°C
Duty rating	Continuous	

Ordering AB/AC Coils

Compatibility for Valve type	Coil type	Power consumption holding	Coil type	Supply voltage	Frequency Hz	Code no.
See data sheets for valves	AB	4.5 W 6.3VA	AB024C	24 ac	50/60	<b>042N0802</b>
			AB110C	110 ac		<b>042N0804</b>
			AB230C	220-230 ac		<b>042N0800</b>
			AB240C	240 ac		<b>042N0801</b>
	AC	7 W 10 VA	AC024C	24 ac	50/60	<b>042N0823</b>
			AC110C	110 ac		<b>042N0825</b>
	AB	5 W	AB012D	12 dc	dc	<b>042N0806</b>
			AB024D	24 dc		<b>042N0803</b>
			AC240C	240 ac		<b>042N0822</b>
			AC024D	24 dc		<b>042N0824</b>

Contact Danfoss for delivery of coils for other voltages

Symbol	Description	Enclosure	Code no.
	Cable plug for 6.3 x 0.8 mm spade connectors	IP65	<b>042N0139<sup>1)</sup></b>

1) Ordering see page 11



Technical data

Design	In accordance with VDE 0580	
Voltage tolerance	± 10%	
Power consumption, cut in	AL	10 VA
	AM	22.5 VA ac coils only
Insulation of coil windings	Class H according to IEC 85	
Connection	Spade connector in accordance with DIN 43650 form A	
Enclosure, IEC 529	IP00 with spade connector, IP 65 with cable plug	
Ambient temperature	AL	Max. +50°C
	AM	Max. +50°C
Duty rating	Continuous	

Ordering AK/AL/AM Coils

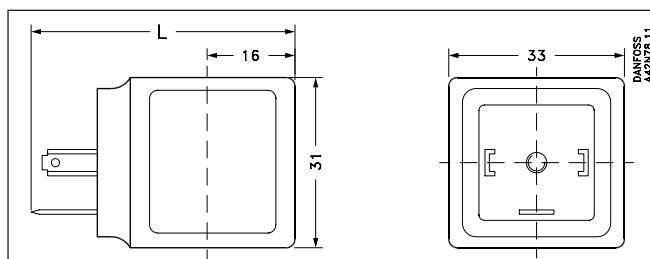
Compatibility for Valve type	Coil type	Power consumption holding	Coil type	Supply voltage	Frequency Hz	Code no.
See data sheets for valves	AM	7.5 W 15 VA	AM024C	24 ac	50/60	<b>042N0842</b>
			AM110C	110 ac		<b>042N0845</b>
			AM230C	220-230 ac		<b>042N0840</b>
			AM240C	240 ac		<b>042N0841</b>
	AL	4W	AL230C	230 ac	50/60	<b>042N0864</b>
			AK	3 W	AK024D	24 dc
	AM	9.5 W	AM012D	12 dc	dc	<b>042N0848</b>
			AM024D	24 dc		<b>042N0843</b>

Contact Danfoss for delivery of coils for other voltages

Symbol	Description	Enclosure	Code no.
	Protective cap (pack of 100 pcs.)	IP 20	<b>018Z0282</b>
	Cable plug according to DIN 43650-A PG 11	IP65	<b>042N0156<sup>1)</sup></b>

1) Ordering see page 12

Dimensions and weight



Weight 0.10 kg	L[mm]
Without cable plug	48
With protective cap	64
With cable plug	72

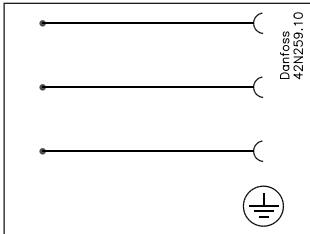
Features



**Power Connector**

- Industrial standard 11 mm
- For use with Danfoss coil type AB and AC
- ac/dc all voltages up to 250 V
- Enclosure: Up to IP65
- Ambient temperature: Up to +80°C

Technical data

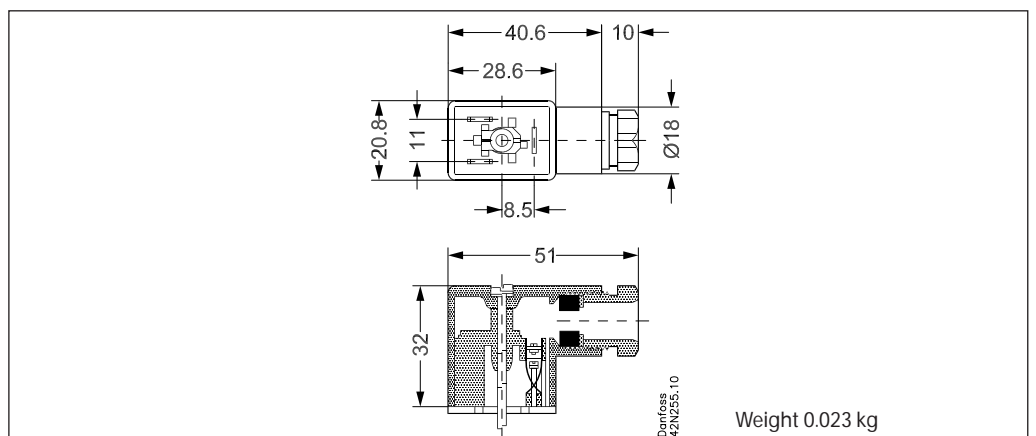


Type	GM 209 N (Black)
Design	DIN 43650-B
Cable gland	PG 9
Poles	2 + ⊕
Max. voltage	250 V ac/dc
Approvals	UL US
Protection class	IP65 (IEC 60529)
Max. operating current	16A
Contact resistance	≤ 4m Ω
Cable diameter	4,5 to 7 mm
Wire cross section	Max. 1,5mm <sup>2</sup>
Ambient temperature	-25 to + 80°C
Materials	Contacts: CuZn (Tin plated) Terminal block: PA Flat gasket: NBR Housing: PA

Ordering

Symbol	Description	Code no.
	Cable plug for 6.3 x 0.8 mm spade connectors Suitable for coil types AB + AC	<b>042N0139</b>

Dimensions and weight



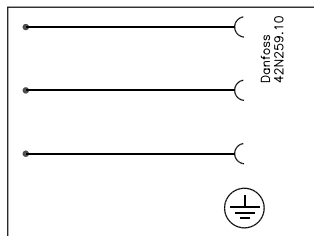
Features



Power Connector

- For use with Danfoss coils type AK, AL, AM, BA, BD and BB
- AC/DC all voltages up to 250 V
- Enclosure: Up to IP65
- Ambient temperature: Up to +125°C

Technical data

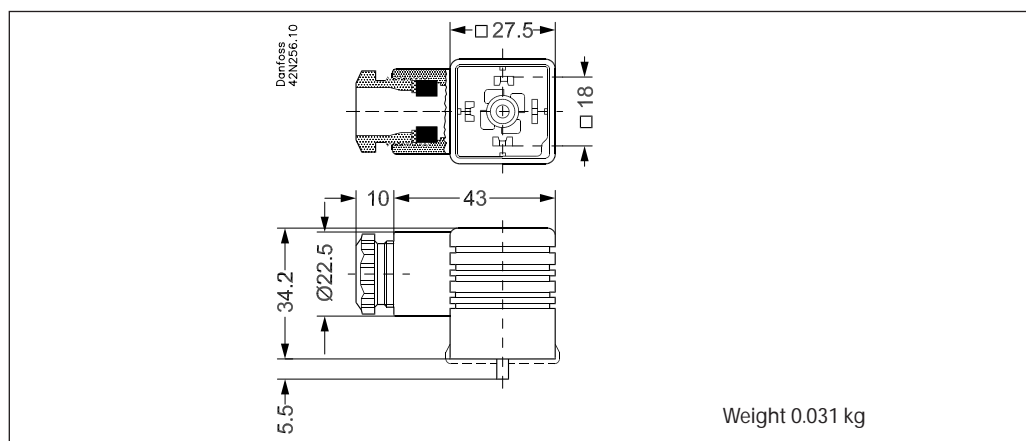


Type	GDM 2011 J (Grey)
Design	DIN 43650-A
Cable gland	PG 11
Poles	2,3 + PE
Max. voltage	250 V ac/dc
Approvals	
Protection class	IP65 (IEC 60529)
Max. operating current	16A
Contact resistance	≤ 4m Ω
Cable diameter	6 to 9 mm
Wire cross section	Max. 1,5mm <sup>2</sup>
Ambient temperature	-40 to + 125°C
Materials	Contacts: CuSn (Tin plated) Terminal block: PA Profiled gasket: NBR Housing: PA

Ordering

Symbol	Description	Code no.
	Cabel plug according to DIN 43650-A PG 11 Suitable for coil types AK, AL, AM, BA, BD, BB	<b>042N0156</b>

Dimensions and weight



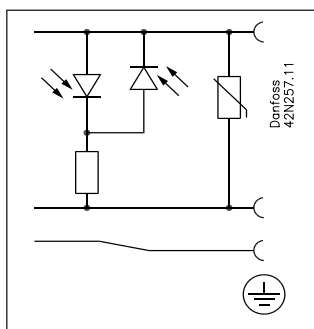
Features



**Power (LED + Varistor) Indicator Connector**

- For use with Danfoss coils type AK, AL, AM, BA, BD and BB
- 24 V ac/dc and 230 V ac versions
- Enclosure: Up to IP65
- Ambient temperature: Up to +60°C

Technical data



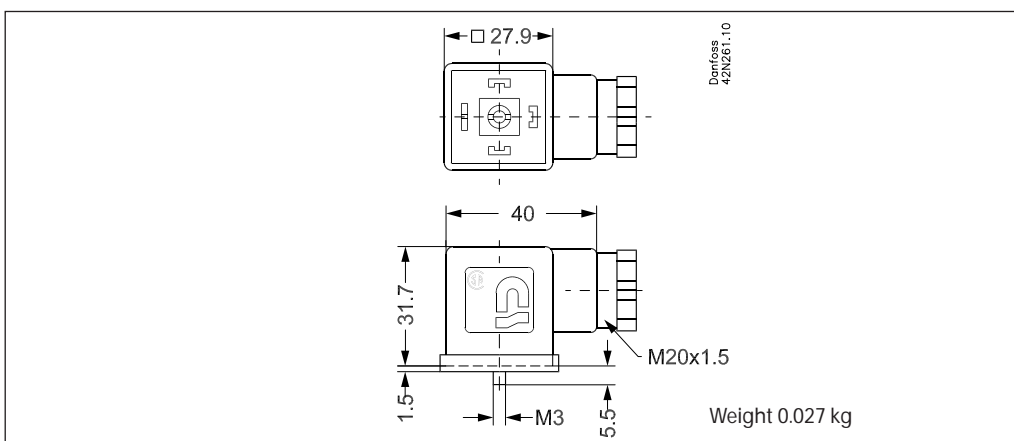
Design	EN 175301-803 A
Supply voltage tolerance	± 10%
Power consumption	Max. 5 mA
Protection class	IP65 (IEC 60 529)
Max. operating current	1,5A clamping contact
Contact resistance	≤ 4m Ω
Protection against wrong polarity	yes
Cable diameter	6 to 8 mm and 8 to 10 mm
Wire cross section	Max. 1,5mm <sup>2</sup>
Ambient temperature	-25 to + 60°C
Materials	Contacts: CuZn, Cu/Sn-plated Terminal block: PA6 + 30% FG, black Flat gasket: NBR LABS-free Housing (translucent): PA6 Wire holder: PA6.6 + 50% FG P7,5 black

Ordering

Voltage	LED colour	Build in VDR <sup>1)</sup> resistor	Code no.	Suitable for coil types
24 V ac/dc	Red	Yes	<b>042N0263</b>	AK, AL, AM,BA, BD, BB
230 V ac	Red	Yes	<b>042N0265</b>	

<sup>1)</sup>Protects against voltage peaks

Dimensions and weight



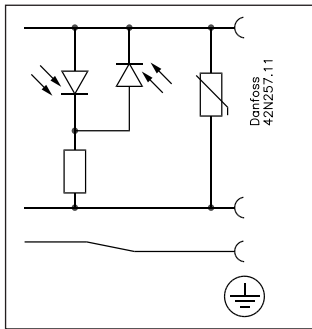
Features



**Power (LED + Varistor) Indicator Connector**

- For use with Danfoss coil type AB and AC
- 24 V ac/dc and 230 V ac versions
- Enclosure: Up to IP65
- Ambient temperature: Up to +60°C

Technical data



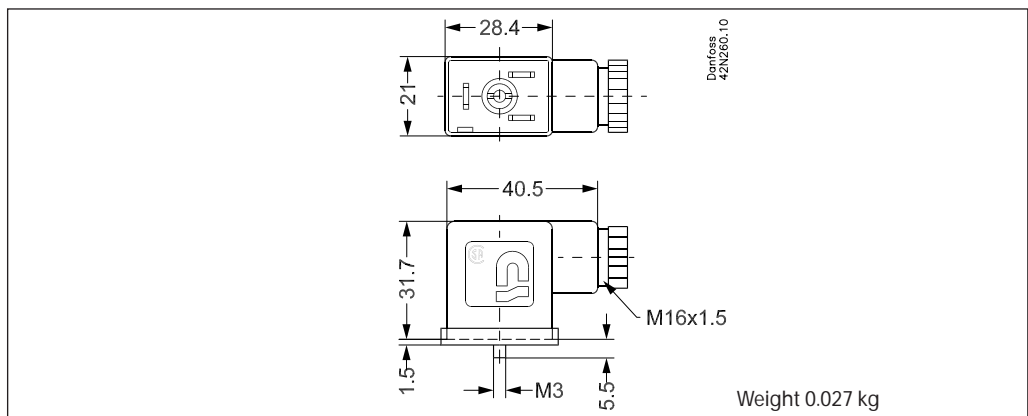
Design	Industrial form
Supply voltage tolerance	± 10%
Power consumption	Max. 5 mA
Protection class	IP65 (IEC 60 529)
Max. operating current	1,5A clamping contact
Contact resistance	≤ 4m Ω
Protection against wrong polarity	yes
Cable diameter	5 to 6 mm and 6 to 9 mm
Wire cross section	Max. 1mm <sup>2</sup>
Ambient temperature	-25 to + 60°C
Materials	Contacts: CuZn, Cu/Sn plated Terminal block: PA6 + 30% FG, black Flat gasket: NBR LABS-free Housing (translucent): PA6 Wire holder: PA6.6 + 50% FG P7,5 black

Ordering

Voltage	LED colour	Build in VDR <sup>1)</sup> resistor	Code no.	Suitable for coil types
24 V ac/dc	Red	Yes	<b>042N0267</b>	AB, AC
230 V ac	Red	Yes	<b>042N0269</b>	

<sup>1)</sup>Protects against voltage peaks

Dimensions and weight



Features



**Universal electronic multi-timer Type ET 20 M**

- Outside adjustments
- Light weight and small size
- External adjustable timing from 1 minute to 45 minutes with 1 to 15 seconds drain open
- One solid state timer fits all coil voltages from 24-240V a.c
- Light diodes for indication
- All in one unit
- Manual override (test button).

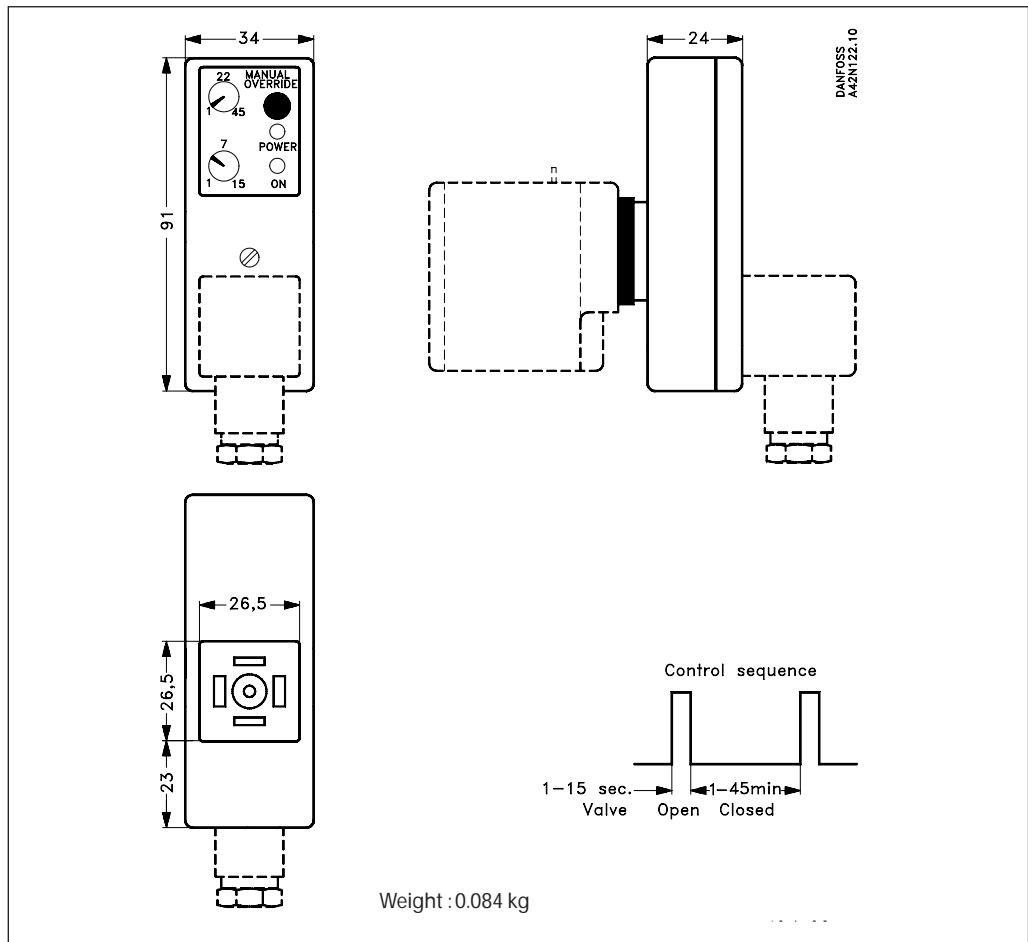
Technical data

Type	ET 20 M
Voltage	24-240 Va.c/ 50-60 Hz.
Power rating	Max. 20Watt
Enclosure	IP00, IP65 with cable plug
Electrical connection	DIN connector ( DIN 43650-A)
Ambient operating temperature range	-10°C to +50°C
Function	Start with pulse
Interval timer	0-45 min.
"On" timer	0-15 Sec.

Ordering

Voltage	<b>Code no.</b>	Suitable for coil types
24-240 Va.c.	<b>042N0185</b>	AK, AL, AM, BA, BD, BB

Dimensions and weight



Danfoss can accept no responsibility for possible errors in catalogues, brochures and other printed material. Danfoss reserves the right to alter its products without notice. This also applies to products already on order provided that such alterations can be made without subsequential changes being necessary in specifications already agreed. All trademarks in this material are property of the respective companies. Danfoss and the Danfoss logotype are trademarks of Danfoss A/S. All rights reserved.