

- Rotary actuator for
2-way and 3-way ball valves
- Torque 2 Nm
 - Nominal voltage AC 230 V
 - Control Open-close


Technical data

Electrical data	Nominal voltage	AC 230 V, 50 Hz	
	Power supply range	AC 207 ... 253 V	
	Power consumption	Operation	1 W @ nominal torque
		Dimensioning	1 VA
	Connection	Cable 1 m, 3 x 0.75 mm ²	
	Parallel operation	No	
Functional data	Torque (nominal torque)	Min. 2 Nm @ nominal voltage	
	Manual override	Temporary gear latch	
	Running time	35 s / 90° ↯	
	Noise level	Max. 45 dB (A)	
	Position indication	Mechanical	
	Safety	Protection class	II Totally insulated <input type="checkbox"/>
Degree of protection		IP40	
EMC		CE acc. to 89/336/EEC	
Low-voltage directive		CE acc. to 73/23/EEC	
Mode of operation		Type 1 (acc. to EN 60730-1)	
Rated impulse voltage		4 kV (acc. to EN 60730-1)	
Control pollution degree		3 (acc. to EN 60730-1)	
Ambient temperature		-7 ... +50°C	
Medium temperature		+5 ... +100°C (in ball valve)	
Medium temperature with R4...DK ball valve		+5 ... +130°C (in ball valve)	
Non-operating temperature		-40 ... +80°C	
Ambient humidity range		95% r.h., non-condensating (EN 60730-1)	
Maintenance		Maintenance-free	
Dimensions / Weight		Dimensions	See «Dimensions» on page 2
	Weight	Approx. 400 g (without ball valve)	

Safety notes


- The actuator has been designed for use in stationary heating, ventilation and air conditioning systems and is not allowed to be used outside the specified field of application, especially in aircraft or in any other airborne means of transport.
- **Caution: Power supply voltage!**
- It may only be installed by suitably trained personnel.
Any legal regulations or regulations issued by authorities must be observed during assembly.
- The actuator is to be protected against moisture. It is not suitable for outdoor applications.
- The correct functioning of the strain relief for the cable is to be checked in the actuator housing.
- The installer must check for correct principle of operation after installation.
- The device may only be opened at the manufacturer's site. It does not contain any parts that can be replaced or repaired by the user.
- The device contains electrical and electronic components and is not allowed to be disposed of as household refuse. All locally valid regulations and requirements must be observed.

Product features

- Simple direct mounting** Simple direct mounting on the ball valve with only one screw. The mounting position in relation to the ball valve can be selected in 90° steps.
- Manual override** Manual operation with lever possible (the gearing is disengaged for as long as the self-resetting lever is pressed).
- Combination valve actuators** Refer to the valve documentation for suitable valves, their permitted media temperatures and closing pressures.

Electrical installation

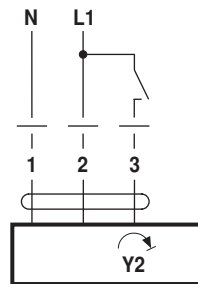
Wiring diagrams

Information

- Caution: Power supply voltage!
- Parallel connection of other actuators possible. Note performance data for supply.

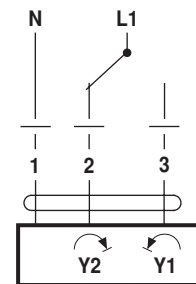


Open-close control (1-wire)



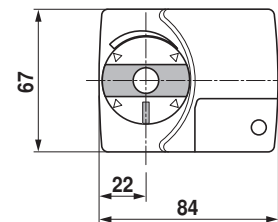
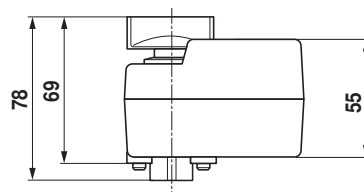
Rotary actuator	Rotary valve
Y2	A - AB = 0%

Open-close control (2-wire)



Dimensions [mm]

Dimensional drawings



General information

- The actuator switches off for seven seconds in the case of blocking, then attempts to restart. If the blocked condition persists, the actuator attempts to restart once every two minutes a total of 15 times and subsequently once every two hours.

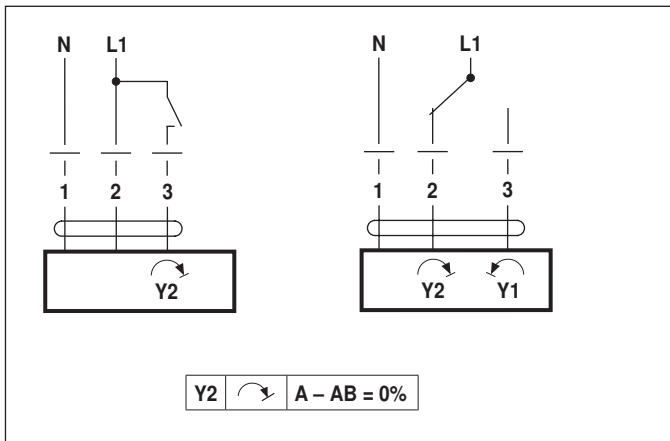
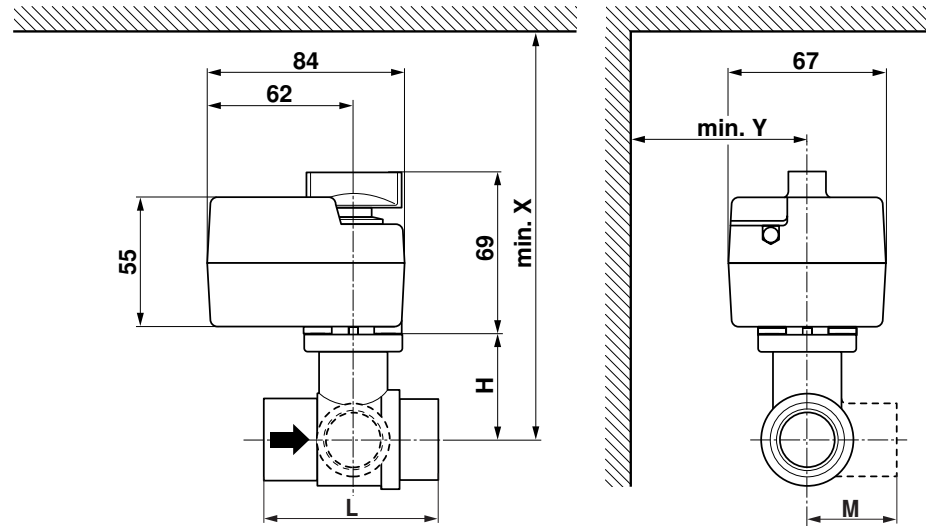
Further documentation



- The complete range of water solutions
- Data sheets for ball valves
- Installation instructions for actuators or ball valves, respectively
- Notes for project planning (hydraulic characteristic curves and circuits, installation regulations, commissioning, maintenance, etc.)



TRY230

71095-00001.B



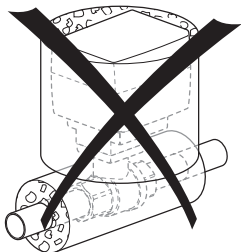
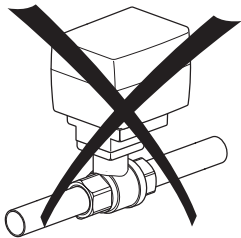
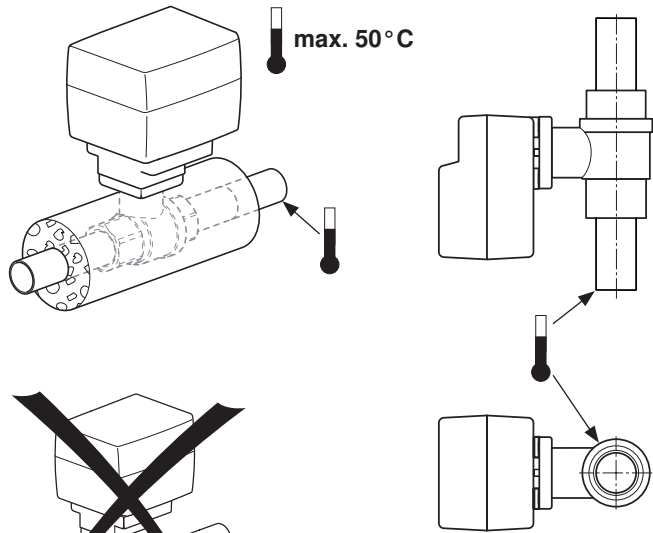
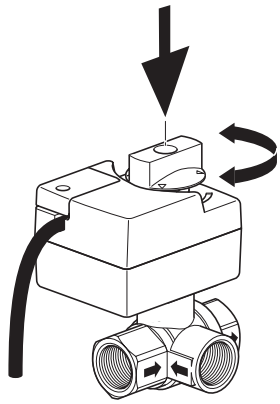
		°C	DN		Rp	G	PN	mm					
			max.	mm				"	"	"	"	L	H
												X	Y
R2..	R3..	100	15	1/2	1/2			67	45	39	184	75	
R4..	R5..	100	15	1/2		1		74	44	38	183	75	
R6..R	R7..R	100	15	1/2			6	101.5	45	73	184	80	
R4..DK		130	10	3/8		3/4		65	38	13	177	75	



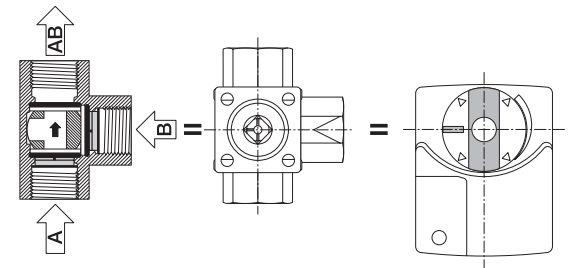
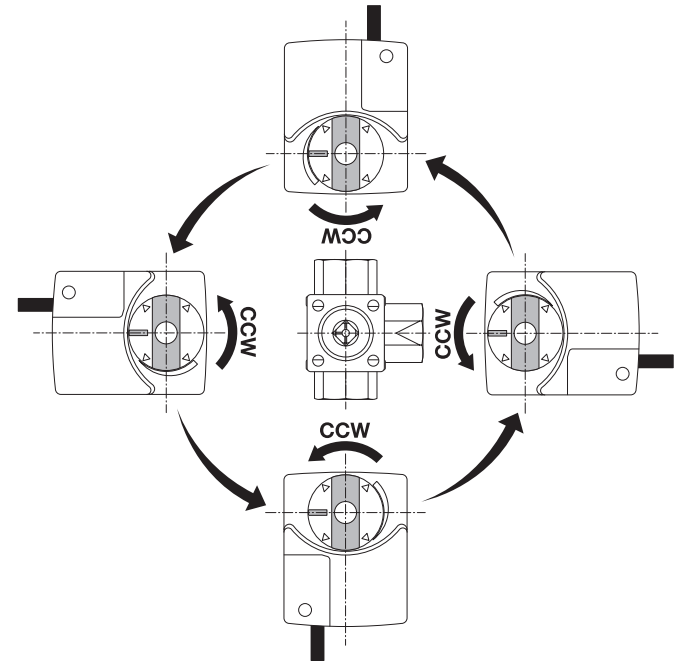
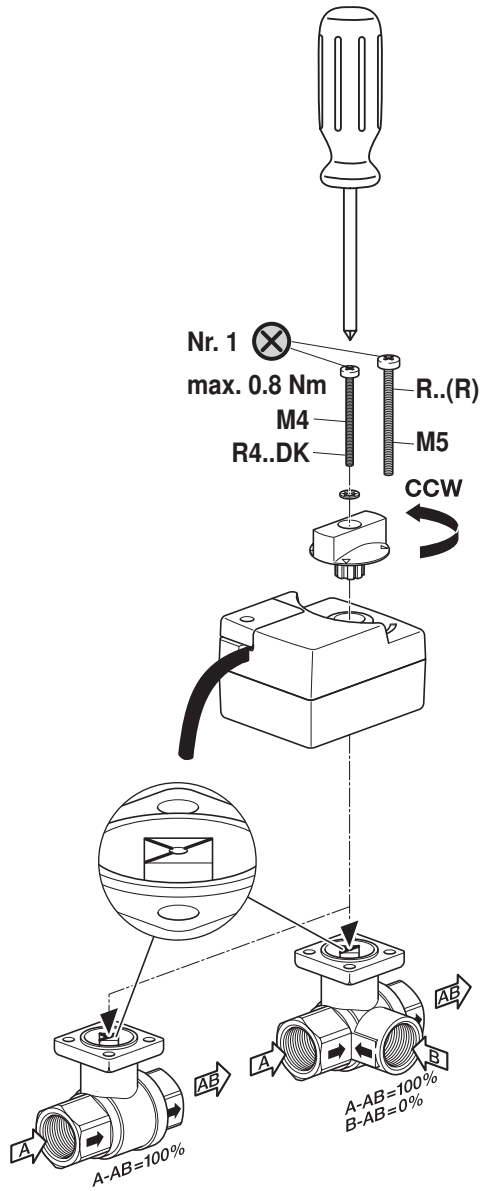
AC 230 V



www.belimo.com



	R2..	R3..	max. 100°C
	R4..	R5..	max. 100°C
	R6..R	R7..R	max. 100°C
	R4..DK		max. 130°C



AC 230 V



www.belimo.com